

Nomenclature des pièces détachées / Exploded view

JØTUL PF 734

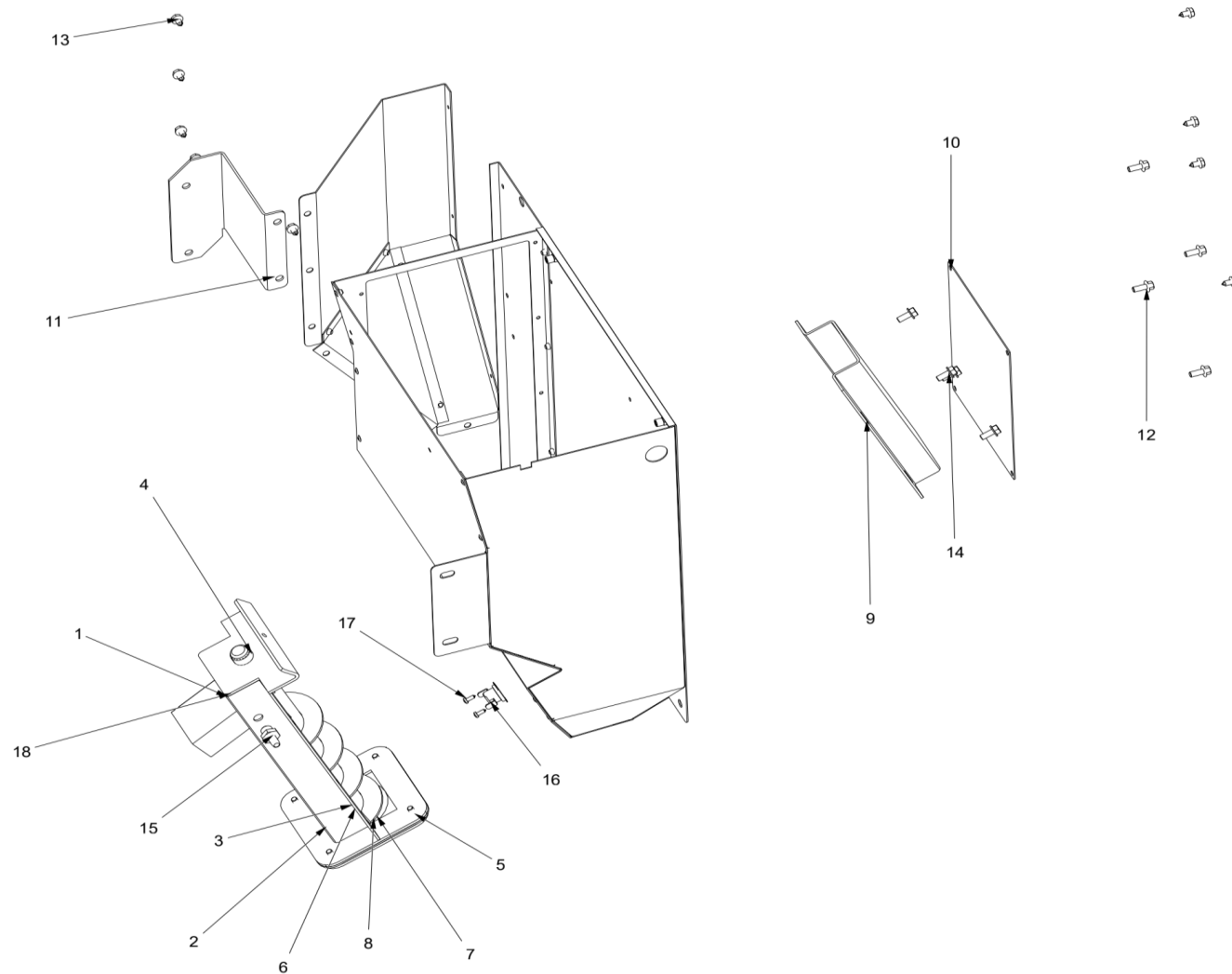


N°	CODICE	DESCRIZIONE IT	DESCRIZIONE EN
0	03B00043A	PORTA COMPLETA	DOOR ASSEMBLY
1	03C00003S-BGK	TELAIO PORTA	DOOR FRAMEWORK
2	70B00021N	VETRO PIANO CERAMICO SERIGRAFATO 312x244x4	SCREEN PRINTED CERAMIC FLAT GLASS 312x244x4
3	1800-00-052-R	NASTRO TRICOTEE NERO ADESIVO 20X3 2256/N/AD-1502	TRICOTEE BELT BLACK ADHESIVE 20X3 2256/N/AD-1502
3	1800-00-052-R1	NASTRO TRICOTEE NERO ADESIVO 20X3 2256/N/AD-1502	TRICOTEE BELT BLACK ADHESIVE 20X3 2256/N/AD-1502
4	44061-R	TRECCIA TRICOVET GRIGIA D.16	GREY TRICOVET BRAID D.16
4	44061-R1	TRECCIA TRICOVET GRIGIA D.16	GREY TRICOVET BRAID D.16
5	NE1236	VITE AUTOFORMANTE TE FL. M5x12 FOSFATATA NERA DIN7500 BN332	SELF-TAPPING HEX HEAD SCREW FL. M5x12 PHOSPHATED BLACK DIN7500 B

Nomenclature des pièces détachées / Exploded view

JØTUL PF 734





Nomenclature des pièces détachées / Exploded view

JØTUL PF 734

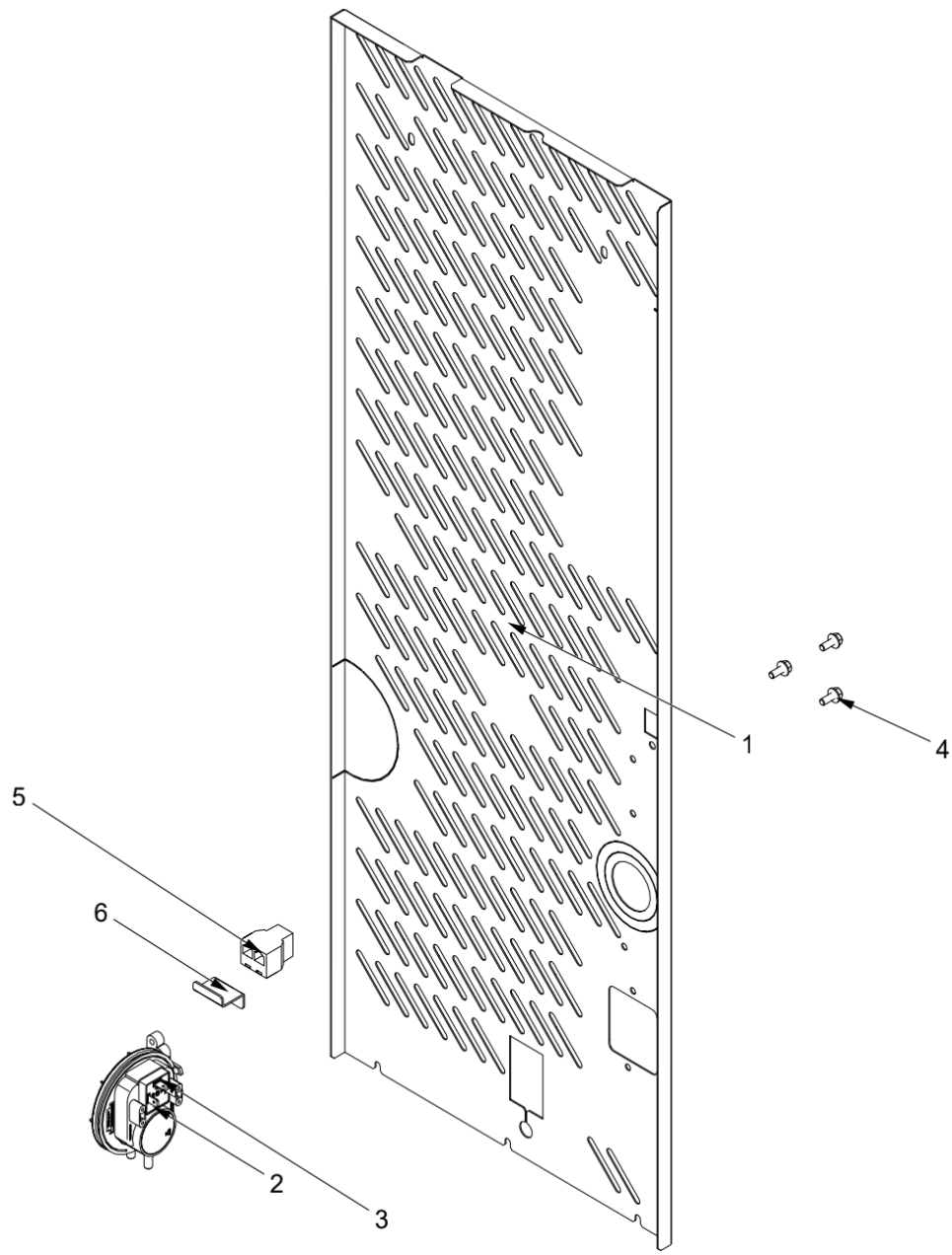


N°	CODICE	DESCRIZIONE IT	DESCRIZIONE EN
0	08X00111A	TRAMOGGIA E CARICAMENTO PELLET	HOPPER AND PELLET LOADING
1	13B00002S	ASS.STRUTTURA FISS.COCLEA	AUGER FIX.STRUCTURE ASSEMB.
2	44000	ASS.STRUTTURA FISS.COCLEA VERN	PAINT AUGER FIX.STRUCTURE ASSEMB.
3	070-13-008N	GOMMA DISTANZIALE	SPACER RUBBER
4	66094	PIASTRA MOTORIDUTTORE	GEARMOTOR PLATE
5	NE1236	BOCCOLA HIMON TFF 161812 MUEO	HIMON BUSHING TFF 161812 MUEO
6	014-05-001S	VITE AUTOFORMANTE TE TF M5X12	SELF-TAPPING HEX HEAD SCREW TF M5X12
7	NE1066	ASSIEME COCLEA	AUGER ASSEMBLY
8	66139	GRANO PUN.CON.45H 8X16 UNI5927	CONICAL TIP GRUB SCREW 45H 8X16 UNI5927
9	014-13-010N	BUSSOLA MOTORIDUTTORE	GEARMOTOR BUSH
10	2700-00-031	CAMICIA COCLEA	AUGER JACKET
11	014-11-095N	ISPEZIONE TRAMOGGIA	HOPPER INSPECTION
12	NE1188	ALETTA	FLAP
13	NE1220	VITE TE FL. M5X12 DIN 6921	HEX HEAD SCREW FL. M5X12 DIN 6921
14	NE1236	VITE TE FL.4.8X9.5 UNI6950	HEX HEAD SCREW FL.4.8X9.5 UNI6950
15	66088	VITE AUTOFORMANTE TE TF M5X12	SELF-TAPPING HEX HEAD SCREW TF M5X12
16	PNEH00009	RACCORDO TUBO PRESSOSTATO	PRESSURE SWITCH TUBE CONNECTION
17	NE1079	TERMOSTATO CAMPINI COREL	COREL CAMPINI THERMOSTAT
18	13D00010A-BLK	VITE AUTOFILET.3.9X9,5 DIN7981	SELF-TAPPING SCREW 3.9X9.5 DIN7981

Nomenclature des pièces détachées / Exploded view

JØTUL PF 734





Nomenclature des pièces détachées / Exploded view

JØTUL PF 734

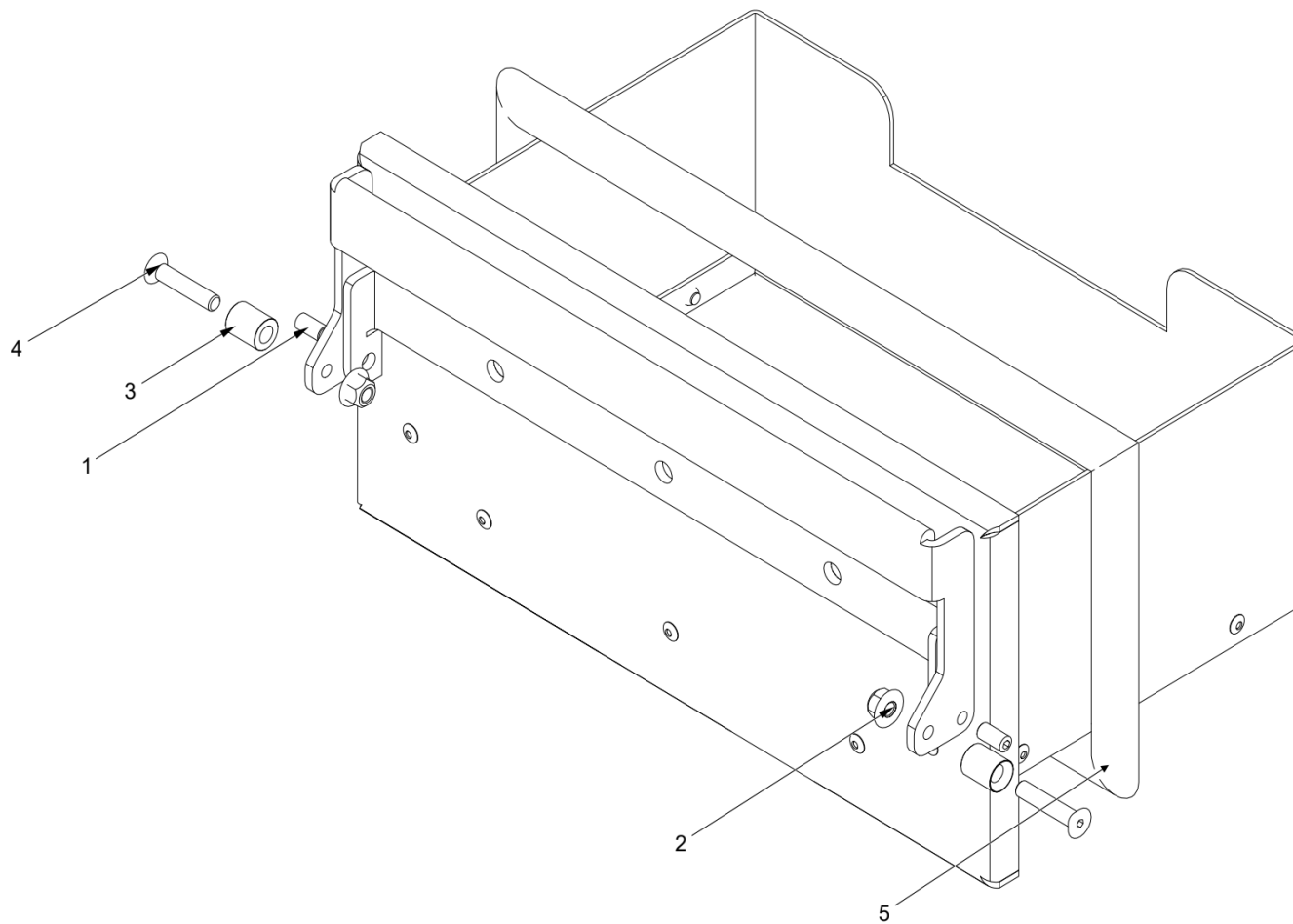


N°	CODICE	DESCRIZIONE IT	DESCRIZIONE EN
0	10K00050A	ASS.PANNELLO POSTERIORE PF 733	REAR PANEL ASS. PF 733
1	10K00078N-BPK	PANNELLO POSTERIORE PF733	REAR PANEL PF733
2	PNEH00005	PRESSOSTATO HUBA CONTROL TYPE 605 - 10 Pa	HUBA CONTROL PRESSURE SWITCH TYPE 605 - 10 Pa
3	PNEB00002	CLIP PER PRESSOSTATO HUBA TYPE 605	CLIP FOR HUBA PRESSURE SWITCH TYPE 605
4	NE1236	VITE AUTOFORMANTE TE FL. M5x12 FOSFATATA NERA DIN7500 BN3	SELF-TAPPING HEX HEAD SCREW FL. M5x12 PHOSPHATED BLACK DIN7500 B
5	PNEC00104	SDOPPIATORE TELEFONICO RJ12 (ELCART art. 40/25510-00)	TELEPHONE SPLITTER RJ12 (ELCART art. 40/25510-00)
6	11J00198N	SUPPORTO SPLITTER DISPLAY	DISPLAY SPLITTER SUPPORT

Nomenclature des pièces détachées / Exploded view

JØTUL PF 734





Nomenclature des pièces détachées / Exploded view

JØTUL PF 734

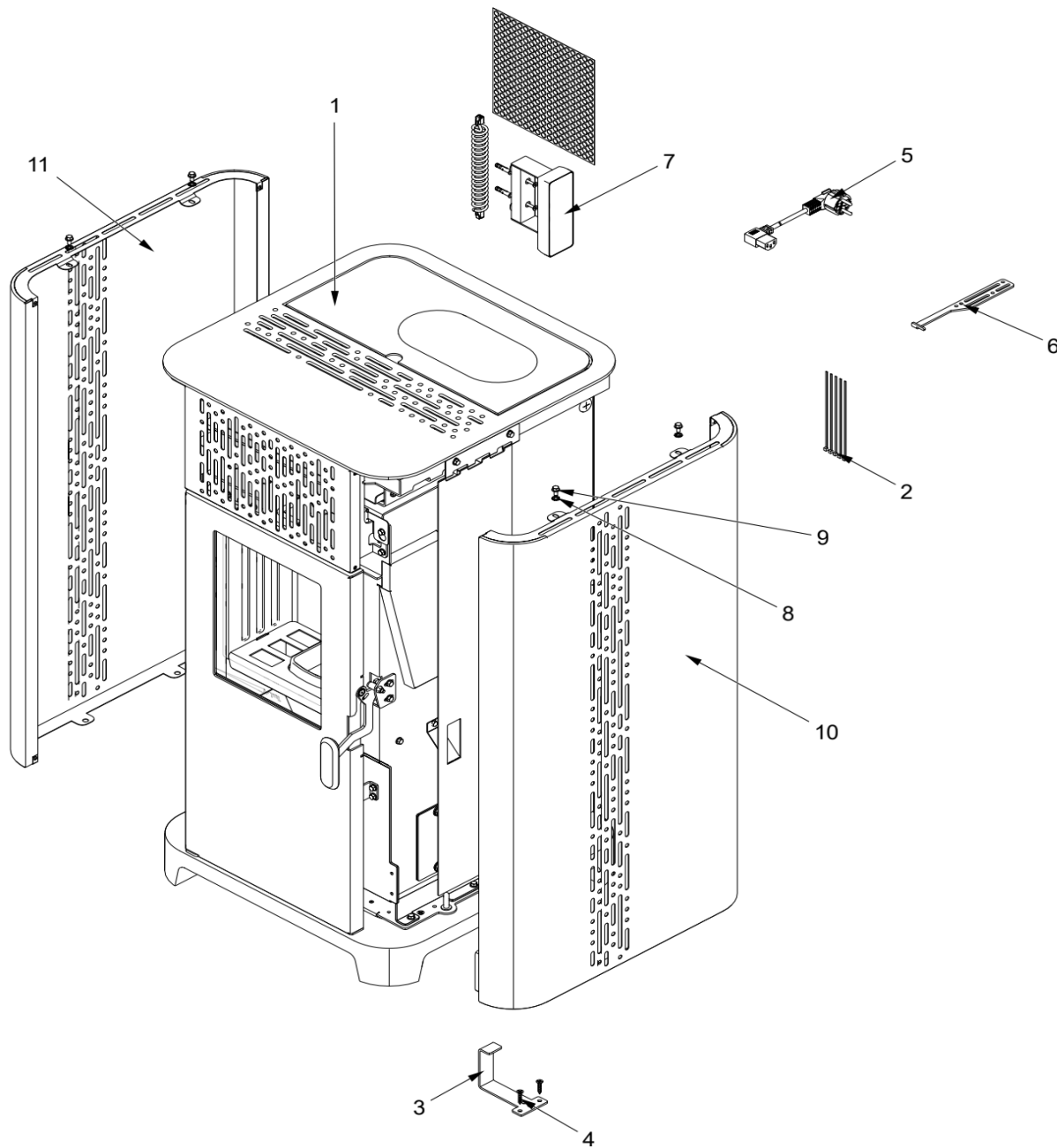


N°	CODICE	DESCRIZIONE IT	DESCRIZIONE EN
0	014-12-002A	ASS. CASSETTO MONTATO	MOUNTED DRAWER ASSEMBLY
1	NE1002	GRANO M5X10 ESLOOK P.PIATTA	GRAIN M5X10 ESLOOK P.FLAT
2	NE1024	DADO FLANG.AUTOB.M5 ISO 7044	FLANG NUT. SELF-L. M5 ISO 7044
3	120-66-022N	BUSSOLA CASSETTO	DRAWER BUSH
4	NE1039	V.SV.ESAGONO M5x25 UNI 5933	HEX COUNTERSUNK V. M5x25 UNI 5933
5	1800-00-067-R	TRECCIA DI VETRO TRECOVET D.14	TRECOVET GLASS BRAID D.14
5	1800-00-067-R1	TRECCIA DI VETRO TRECOVET D.14	TRECOVET GLASS BRAID D.14

Nomenclature des pièces détachées / Exploded view

JØTUL PF 734





Nomenclature des pièces détachées / Exploded view

JØTUL PF 734

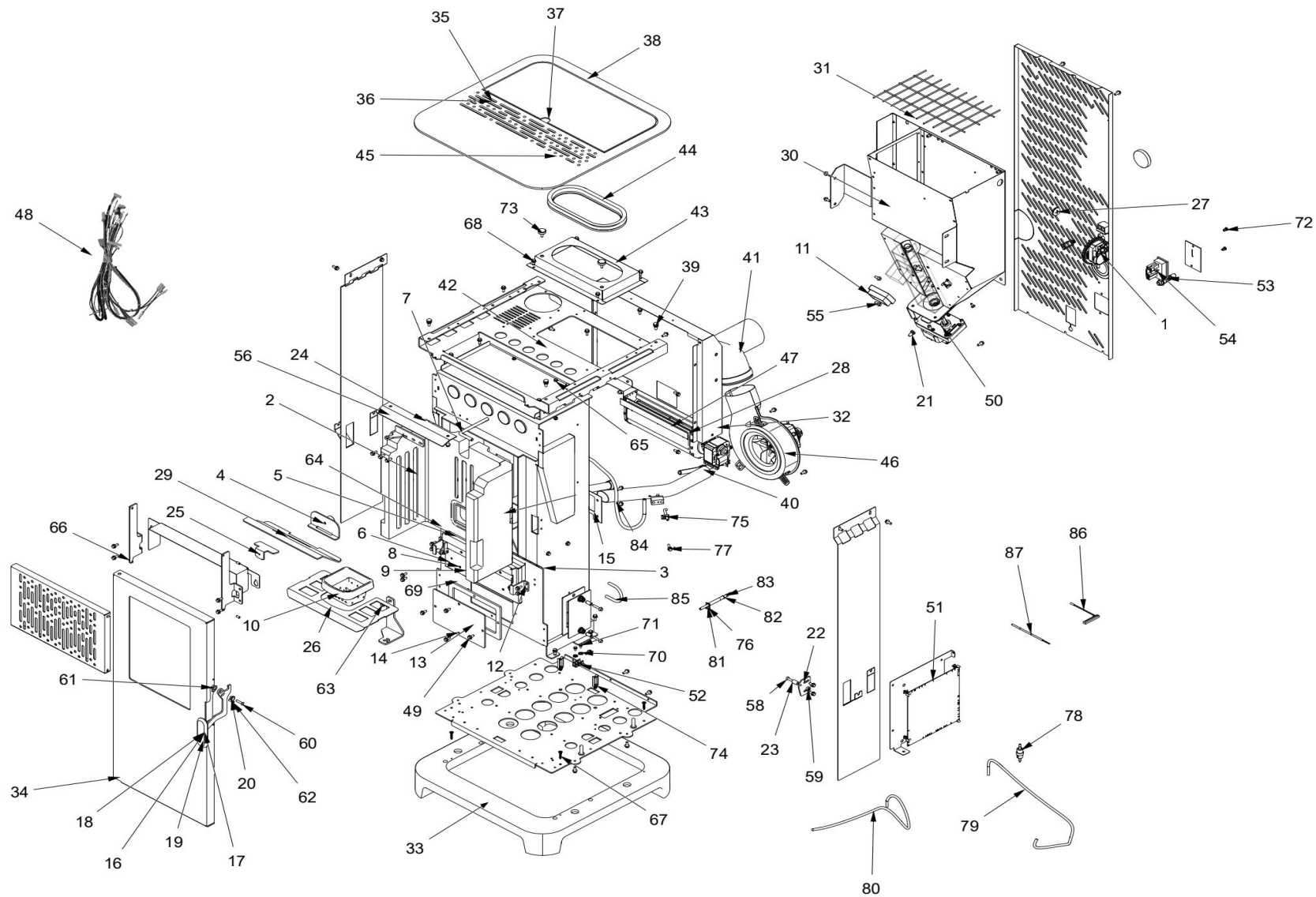


N°	CODICE	DESCRIZIONE IT	DESCRIZIONE EN
0	20069CJ01_A	PF734	PF734
1	Z0053AZ01	Z STRUTTURA PF733 M31	Z STRUCTURE PF733 M31
2	44009	FASCETTA STRINGITUBO CV140K	HOSE CLAMP CV140K
3	90E00007N	STAFFA FISSAGGIO STUFA	STOVE FIXING BRACKET
4	NE1308	VITE ST.4,5X25 DIN7982C	SELF-TAPPING SCREW 4/5X25 DIN7982C
5	PNEF00004	SPINA SCHUKO CONN. IEC 90° H05RR-F 3x0,75 L=1200mm	SCHUKO PLUG CONN. IEC 90° H05RR-F 3x0.75 L=1200mm
6	23L00005N-BPK	ESTRATTORE JOTUL VERNICIATO	PAINTED JOTUL EXTRACTOR
7	K0125AZ00	KIT DISPLAY M31	M31 DISPLAY KIT
8	NE1385	ROND.DENTELLATA D.5 DIN6798A ZN-NERA	TOOTHED WASHER D.5 DIN6798A ZN-BLACK
9	NE1370	VITE AUTOFORMANTE TE TF M5X10	SELF-TAPPING HEX HEAD SCREW TF M5X10
10	10B00234N-BPK	PANNELLO LATERALE DESTRO	RIGHT SIDE PANEL
10	10B00234N-BRC	PANNELLO LATERALE DESTRO	RIGHT SIDE PANEL
11	10B00236N-BPK	PANNELLO LATERALE SINISTRO	LEFT SIDE PANEL
11	10B00236N-BRC	PANNELLO LATERALE SINISTRO	LEFT SIDE PANEL

Nomenclature des pièces détachées / Exploded view

JØTUL PF 734





Nomenclature des pièces détachées / Exploded view

JØTUL PF 734



N°	CODICE	DESCRIZIONE IT	DESCRIZIONE EN
0	Z0053AZ01	Z STRUTTURA PF733 M31	Z STRUCTURE PF733 M31
1	10K00050A	ASS.PANNELLO POSTERIORE PF 733	REAR PANEL ASS. PF 733
2	014-14-001A	KIT VERMICULITE	VERMICULITE KIT
3	014-12-002A	ASS. CASSETTO MONTATO	MOUNTED DRAWER ASSEMBLY
4	115-11-002S	ASSIEME SQUADRA TAGLIAFIAMMA	BAFFLE SQUARE ASSEMBLY
5	3000-00-092	MOLLA	SPRING
6	100-66-010N	BUSSOLA	BUSH
7	014-60-001N	ASTA RASCHIATORE PIEGATA	BENT SCRAPER ROD
8	100-11-045N	TAPPO	CUP
9	100-11-046N	GUARN CARTA SILCAWOOL SP.5	SILCAWOOL PAPER GASKET TH.5
10	070-07-001N	BRACERE IN GHISA	CAST IRON BRAZIER
11	40B00006N	GUARNIZ.COCLEA SILICONE	SILICONE AUGER GASKET
12	120-11-048N-BLK	STAFFA CASSETTO VERNIC.	PAINT. DRAWER BRACKET
13	014-66-007N	GUARN CARTA ECOL. SP.5	ECOL. PAPER GASKET TH.5
14	014-11-001N	TAPPO	CUP
15	070-11-047N	GUARN CARTA SILCAWOOL SP.3	SILCAWOOL PAPER GASKET TH.3
16	06A00004A	ASS.MANIGLIA	HANDLE ASS.
17	06A00004S-BPK	STRUTTURA MANIGLIA VERNICIATA	PAINTED HANDLE STRUCTURE
18	06A00040N-BWG	IMPUGNATURA VERNICIATA	PAINTED HANDLE
19	NE1195	VITE SV.EI PIANA M4X12 UNI5933	FLAT COUNTERSUNK HEX HEAD SCREW M4X12 UNI5933
20	6400-00-004	BUSSOLA (KG.0,003)	BUSH (KG.0.003)
21	66140	GOMMINO PARACOLPI 2 ANELLI	SHOCK ABSORBER RUBBER 2 RINGS
22	014-11-005N	STAFFA CHIUSURA MANIGLIA	HANDLE CLOSING BRACKET
23	014-66-009N	BUSSOLA	BUSH
24	014-10-009N-BLK	DEFLETTORE ARIA PUL.VETRO VERN	PAINT GLASS CLEAN. AIR DEFLECTOR
25	014-01-094N	ALETTA TAGLIAFIAMMA	FLAME TRAP FLAP
26	014-10-020N-BLK	GRIGLIA BRACERE VERNIC.	PAINT. BRAZIER GRID
27	014-66-016N	GUARNIZ.PASSACAVO DGC-TPE 13.5	CABLE GLAND GASKET DGC-TPE 13.5
28	1800-00-052-R	NASTRO DI VETRO TRICOTEE 20X3	TRICOTEE GLASS TAPE 20X3
28	1800-00-052-R1	NASTRO DI VETRO TRICOTEE 20X3	TRICOTEE GLASS TAPE 20X3
29	014-01-001N	TAGLIAFIAMMA	FLAME TRAP
30	08X00111A	TRAMOGGIA E CARICAMENTO PELLET	HOPPER AND PELLET LOADING

Nomenclature des pièces détachées / Exploded view

JØTUL PF 734



31	08P00006N	GRIGLIA PROTEZIONE MANI	HAND PROTECTION GRID
32	13E00010A	CONVOGLIATORE ARIA	AIR CONVEYOR
33	10H00033N	BASAMENTO LEGNO GRIGIO CENERE	ASH GREY WOOD BASEMENT
34	03B00043A	ASSIEME PORTA MONTATA	MOUNTED DOOR ASSEMBLY
35	10F00018A	PANNELLO/GRIGLIA SUPERIORE	TOP PANEL/GRID
36	10F00013A	TOP ASSEMBLATO VERN.	PAINT. ASSEMBLED TOP
37	10D00011S	COPERCHIO TRAMOGGIA VERN.	PAINT. HOPPER COVER
38	NE1002	GRANO M5X10 CON ESLOOK P.PIAT.	GRUB SCREW M5X10 WITH ESLOOK P.FLAT
39	66090	GOMMINO PROTEZIONE (3 ANELLI)	PROTECTION RUBBER (3 RINGS)
40	55537	CANDELETTA CERAM.PSX-6-B_240V	CERAM.IGNITER PSX-6-B_240V
41	5700-00-106	CURVA 90°	90° CURVE
42	11D00045N-BPK	SOTTO TOP PF733 VERNICIATO	UNDER TOP PF733 PAINTED
43	08T00015N-BPK	SCATOLA GUARNIZ. PF733 VERNIC.	GASKET BOX PF733 PAINT.
44	PNGS00004	GUARNIZIONE EMKA EPDM 1011-41	EMKA GASKET EPDM 1011-41
45	08T00016N-BPK	TAPPO SOTTO TOP VERNICIATO	PAINTED UNDER TOP CAP
46	PNEE00009	CAF15Y-156LS ESTRATTORE FUMI	CAF15Y-156LS SMOKE EXTRACTOR
47	PNEA00007	VENTIL.TANGENZ THS24B5-040K	TANGEN. FAN THS24B5-040K
48	PNEC00098	KIT CABLAGGIO PF733 M31	WIRING KIT PF733 M31
49	NE1236	VITE AUTOFORMANTE TE TF M5X12	SELF-TAPPING HEX HEAD SCREW TF M5X12
50	PNEG00012	MOTORIDUTTORE 2rpm CW-250V	MOTOR REDUCER 2rpm CW-250V
51	PNEM00016	ASSIEME CENTRALINA	CONTROL UNIT ASSEMBLY
52	PNEH00004	LINGUETTA PER MESSA A TERRA	EARTHING TAB
53	PNEC00072	PIGTAIL PER SONDA TEMPERATURA	PIGTAIL FOR TEMPERATURE PROBE
54	55007-KIT	INTER.POLYSNAP BZ01001/S+FUSIB	INTER.POLYSNAP BZ01001/S+FUSIB
55	NE1188	VITE TE FL. M5X12 DIN 6921	HEX HEAD SCREW FL. M5X12 DIN 6921
56	NE1372	VITE TE FL. INOX M5X12 AUTOF.	HEX HEAD SCREW FL. STAINLESS STEEL M5X12 SELF-T.
57	NE1210	VITE TE FL. INOX M5X8 DIN6921	HEX HEAD SCREW FL. STAINLESS STEEL M5X8 DIN6921
58	NE1279	VITE SV.EI PIANA M5X30 UNI5933	FLAT COUNTERSUNK HEX HEAD SCREW M5X30 UNI5933
59	NE1024	DADO FLANG.AUTOBL.M5 ISO7044	SELF-LOCK. FLANG.NUT M5 ISO7044
60	NE1314	VITE SV.EI PIANA M5X22 UNI5933	FLAT COUNTERSUNK HEX HEAD SCREW M5X22 UNI5933

Nomenclature des pièces détachées / Exploded view

JØTUL PF 734



61	NE1153	ROND.ELAS.CONVES.D.10 DIN137A	CONVEX SPRING WASHER D.10 DIN137A
62	NE1271	GRANO M5X16 P.PIATTA UNI5923	RAIN M5X16 P.FLAT UNI5923
63	NE1292	VITE AUTOFORMANTE TE TF M5X20	SELF-TAPPING HEX HEAD SCREW TF M5X20
64	NE1277	VITE TE FL. M5X25 DIN 6921	HEX HEAD SCREW FL. M5X25 DIN 6921
65	NE1220	VITE TE FL.4.8X9.5 UNI6950	HEX HEAD SCREW FL.4.8X9.5 UNI6950
66	NE1002	GRANO M5X10 CON ESLOOK P.PIAT.	GRUB SCREW M5X10 WITH ESLOOK P.FLAT
67	NE1308	VITE ST.4,5X25 DIN7982C	SELF-TAPPING SCREW 4/5X25 DIN7982C
68	NE1370	VITE AUTOFORMANTE TE TF M5X10	SELF-TAPPING HEX HEAD SCREW TF M5X10
69	40B00008N	CAPPUCCIO SILICONE KAP 204	SILICONE CAP KAP 204
70	NE1385	ROND.DENT.D.5 DIN 6798 NERA	TOOTHED WASHER D.5 DIN 6798 BLACK
71	PNVV00005	VITE AUTOF. TEFL M4x8 ZN NERA	SELF-TAPPING SCREW TEFL M4x8 ZN BLACK
72	PNVS00003	RIVETTO PLASTICA NERO 8x5	BLACK PLASTIC RIVET 8x5
73	06B00072N	MAGNETE SM36.3NI00.2060GM	MAGNET SM36.3NI00.2060GM
74	PNEB00004	FERMACAVO A CHIUSURA DALL'ALTO	TOP-CLOSING CABLE HOLDER
75	PNSS00002	SONDA AD ANGOLO IN RYTON	RYTON CORNER PROBE
76	NE1079	VITE AUTOFILET.3.9X9,5 DIN7981	SELF-TAPPING SCREW 3.9X9.5 DIN7981
77	NE1292	VITE AUTOFORMANTE TE TF M5X20	SELF-TAPPING HEX HEAD SCREW TF M5X20
78	PNSS00005	FILTRO ARIA 50 MICRON PER	50 MICRON AIR FILTER FOR
79	PNGS00005	TUBO SILICONE ROSSO 6x3.5 mm	RED SILICONE HOSE 6x3.5 mm
80	PNGS00006	TUBO SILICONE BIANCO 6x3.5 mm	WHITE SILICONE HOSE 6x3.5 mm
81	PNSS00001	PRESA DI PRESSIONE	PRESSURE PLUG
82	44006	TUBO SILICONE 5X8 X PRESSOST.	SILICONE HOSE 5X8 X P.SWITCH
83	PNSS00006	RACCORDO PORTAGOMMA 6-8	RUBBER HOLDER FITTING 6-8
84	44006	TUBO SILICONE 5X8 X PRESSOST.	SILICONE HOSE 5X8 X P.SWITCH
85	PNGS00005	TUBO SILICONE ROSSO 6x3.5 mm	RED SILICONE HOSE 6x3.5 mm
86	PNES00008	SONDA AMBIENTE NTC, L=1000mm CON CONNETTORE STOCKO	NTC ROOM PROBE, L=1000mm WITH STOCKO CONNECTOR
87	PNES00009	SONDA FUMI J, L=1000mm SENZA CONNETTORE	FLUE GAS PROBE J, L=1000mm WITHOUT CONNECTOR

Nomenclature des pièces détachées / Exploded view

JØTUL PF 734

